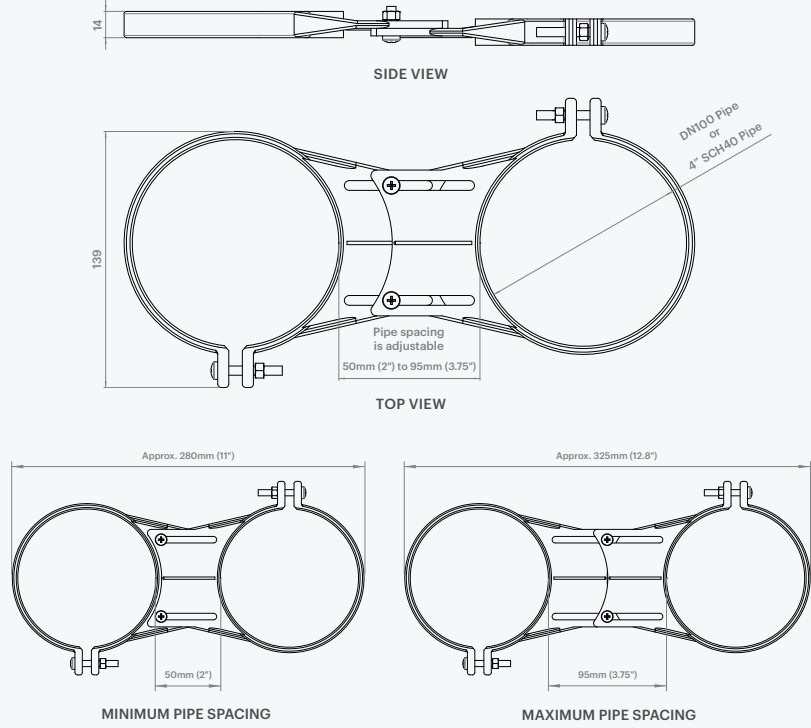


PRODUCT DIMENSIONS

WDAC23 100mm



ALL DIMENSIONS IN MM UNLESS OTHERWISE STATED.

Pipe Fitment

WDAC23	DN100 / 4" SCH40	Fits over 100mm or 4" SCH40 pipe
--------	------------------	----------------------------------

DISCLAIMER This product specification is not a complete guide to product usage. Further information is available from Rain Harvesting Pty Ltd and from the Installation and Operating Instructions. This specification sheet must be read in conjunction with the Installation and Operating Instructions and all applicable statutory requirement. Product specifications may change without notice. © Rain Harvesting Pty Ltd.

RAIN HARVESTING
by Blue Mountain Co

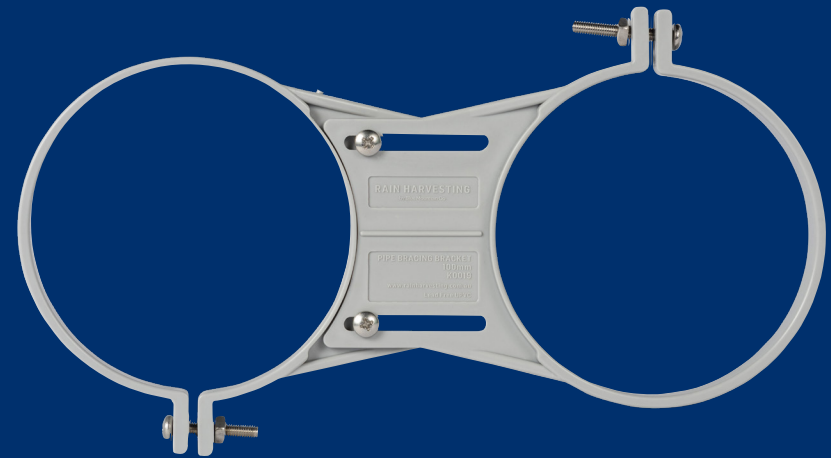
+61 (0)7 3248 9600

rainharvesting.com.au

RAIN HARVESTING
by Blue Mountain Co

KIT

Pipe Bracing Bracket



Installation and Specification Guide

PRODUCT DETAILS

Used to brace two downpipes together, especially where it is not possible to use a standard wall bracket.

- WDAC24 90mm
- WDAC23 100mm

FEATURES AND BENEFITS

- Firmly braces two downpipes together
- Especially useful when positioning First Flush diversion chambers next to existing downpipes.
- Adjustable for different pipe spacings
- Comes in kit form with all required fasteners

Installation

WHAT'S IN THE BOX?

- Bracket x 2
- 35mm Screws x 2
(for pipe fastening)
- 15mm Screws x 2
(for Pipe Spacing Adjustment Slots)
- Nuts x 4

TOOLS/MATERIALS YOU MAY REQUIRE

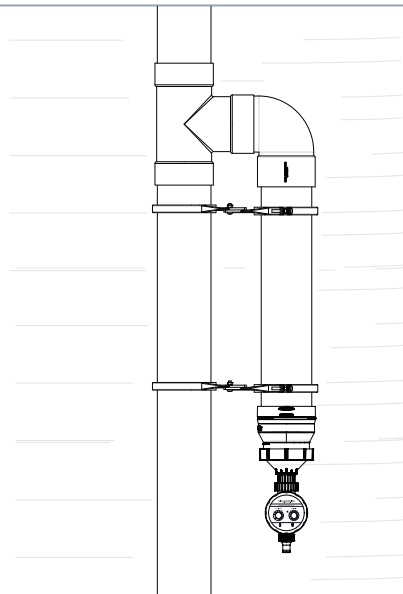
- Spanner
- Phillips head screwdriver

PIPE BRACING BRACKET

1. Using the 15mm screws and 2 nuts, fasten the two brackets together loosely by inserting the screws in the Pipe Spacing Adjustment Slots.
2. Flex each side of the pipe bracket over each pipe, and slide the two brackets along the Pipe Spacing Adjustment Slots until the correct pipe spacing is achieved.
3. Use the 35mm screws and 2 nuts to tighten and secure the brackets around the pipes.
4. Tighten the 15mm screws in the Pipe Spacing Adjustment Slots to fix the bracket spacing between the pipes.

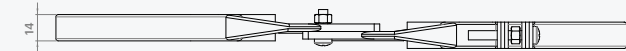
SAMPLE INSTALLATION DIAGRAM

Used in conjunction with a 90° bend, the Pipe Bracing Bracket allows for 2 pipes to be set parallel to each other.

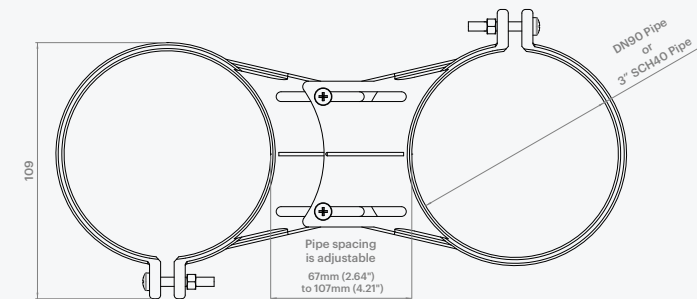


PRODUCT DIMENSIONS

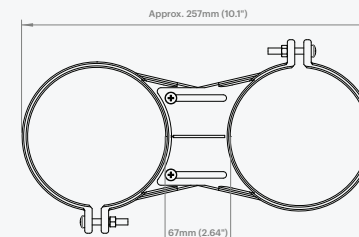
WDAC24 90mm



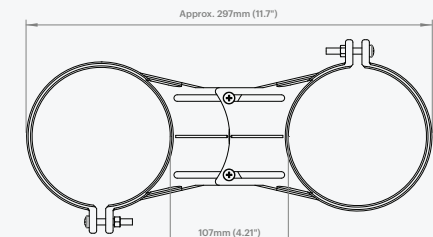
SIDE VIEW



TOP VIEW



MINIMUM PIPE SPACING



MAXIMUM PIPE SPACING

ALL DIMENSIONS IN MM UNLESS OTHERWISE STATED.

Pipe Fitment

WDAC24 DN90 / 3" SCH40 Fits over 90mm or 3" SCH40 pipe