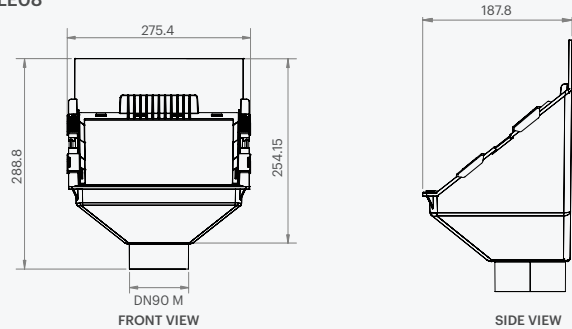
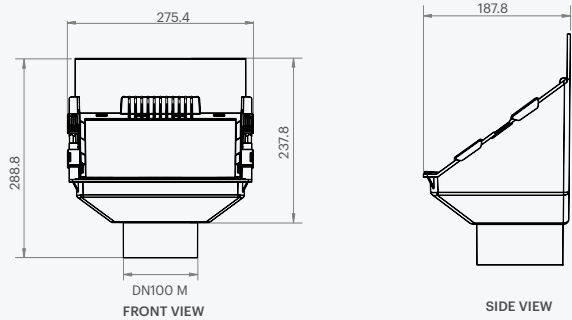


PRODUCT DIMENSIONS

RHLE08



RHLE09



ALL DIMENSIONS IN MM UNLESS OTHERWISE STATED.

Pipe Fitment

RHLE08	DN90 M	Fits into 90mm socket
RHLE09	DN100 M	Fits into 100mm socket

DISCLAIMER This product specification is not a complete guide to product usage. Product specifications may change without notice. For more information visit rainharvesting.com.au. Keep this manual handy for future reference. © Rain Harvesting Pty Ltd.

COMPLIANCE

- AS/NZS 3500.3:2003 Plumbing and Drainage – Stormwater Drainage
- enHealth Council – Guidance on the Use of Rainwater Tanks – Preventing Mosquitoes Breeding
- HB230:2008 Rainwater Tank Design and Installation Handbook
- Queensland Health Regulations 1996 (Part 8 – Mosquito Prevention)

RAIN HARVESTING

by Blue Mountain Co

rainharvesting.com.au

+61 (0)7 3248 9600

RAIN HARVESTING
by Blue Mountain Co

Leaf Eater Plus



Installation and Specification Guide

PRODUCT DETAILS

A Leaf Eater™ Original with a Clean Shield™ upgrade screen for improved leaf shedding and even easier maintenance.

RHLE08 90mm
RHLE09 100mm

FEATURES AND BENEFITS

- Debris shedding single screen technology (Clean Shield™)
- Minimal maintenance
- Enhanced flow rate capacity
- Superior catchment efficiency at low and high flow rates
- A single mosquito proof stainless steel mesh screen with 0.955mm aperture

Installation

WHAT'S IN THE BOX?

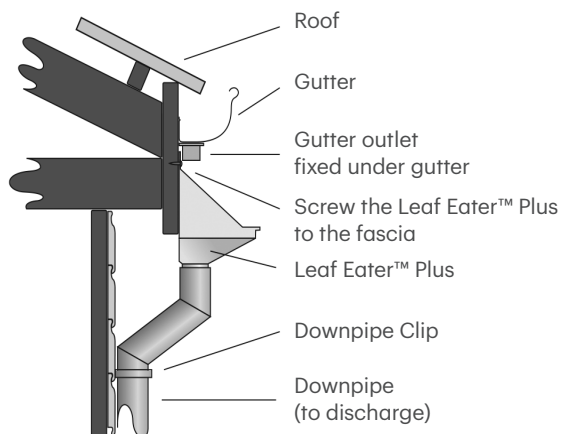
- Leaf Eater Plus

TOOLS/MATERIALS YOU MAY REQUIRE

- Marker pen
- Tin snips
- Screws or pop rivets
- Screwdriver or pop rivet gun
- 90mm or 100mm socket
- Sealant
- Tape measure
- Saw
- Drill

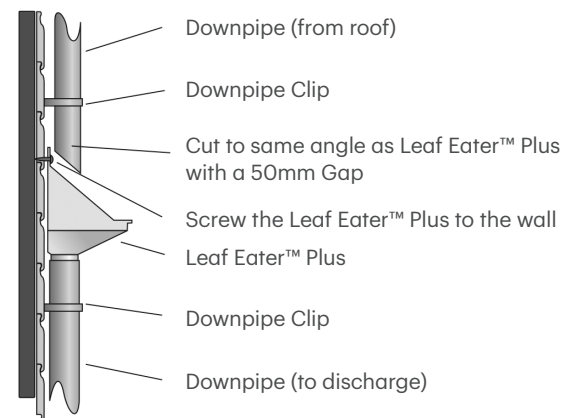
GUTTER MOUNT

1. Locate the position at which you will be installing your Leaf Eater Plus rain head. Whether this is directly under your eave or midway down your downpipe, it should be a minimum of 500mm above your tank inlet and tank overflow pipe.
2. Position your Leaf Eater Plus rain head at the bottom of the existing gutter outlet, next to the existing downpipe. Mark and cut the bottom line and remove this section of downpipe, ensuring the cut edge is clean and smooth.
3. Mount the main body of your Leaf Eater Plus evenly under the gutter outlet by securing it to the fascia with pop rivets or screws, making sure the backing plate fits snug up to the bottom of edge of the gutter but NOT between the fascia and back edge of the gutter.
4. Connect your Leaf Eater Plus to the downpipe. DO NOT glue it to the pipe. Instead, secure with a screw for easy removal.
5. If desired, you can paint your rain head to match your downpipes and/or building.



EAVE & "MID" MOUNT

1. Position your Leaf Eater Plus at your planned installation point and mark top and bottom cut lines. Add 50mm to the measurement on the upper end of your downpipe (which will become your entry downpipe) and cut this at a 45 degree angle. This should allow 50mm clearance between the pipe and screen. The angle will ensure the end of the pipe is parallel to the screen, helping to direct the water onto the screen more effectively.
2. Cut the bottom section of downpipe at a 90 degree angle. Ensure all cut edges are clean and smooth.
3. Using the quick release tabs, remove the Clean Shield™ screen by lifting it up and then out.
4. Mount the main body of the Leaf Eater Plus evenly under the entry downpipe, securing it to the wall with pop rivets or screws.
5. Reinsert the Clean Shield™ screen into your rain head. Ensure the screen sits firmly in place and check installation is secure.
6. Connect your Leaf Eater Plus to the lower downpipe. DO NOT glue it to the pipe. Instead, secure with a screw for easy removal.
7. If desired, you can paint your rain head to match your downpipes and/or building.



MAINTENANCE

Your rain head's Clean Shield™ screen is mostly self-cleaning. If cleaning is required, simply take hold of the quick release tabs and pull the Clean Shield™ screen upwards and outwards, then hose or brush off before reinserting the screen.