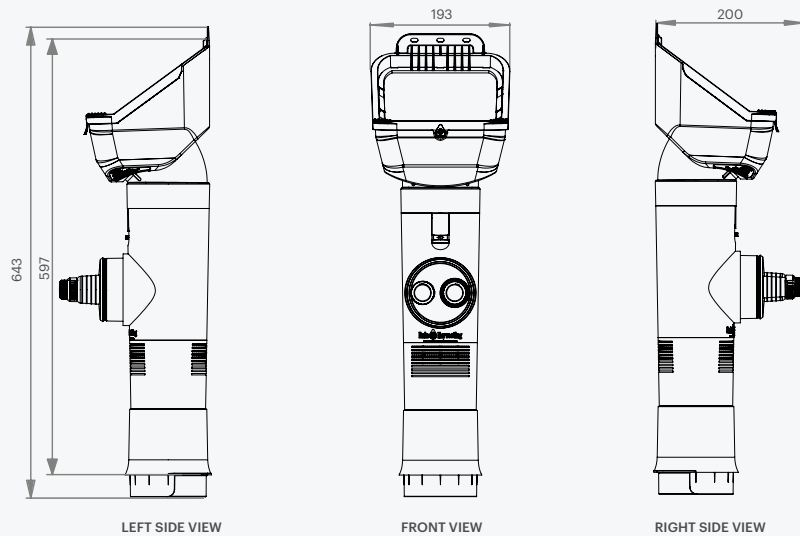


PRODUCT DIMENSIONS



ALL DIMENSIONS IN MM UNLESS OTHERWISE STATED.

Pipe Fitment

| | | |
|-------------------|-----------|---|
| Downpipe Adaptors | Round | Fits into 90mm pipe 100mm pipe fits inside |
| | Rectangle | Fits into 100x75mm pipe Fits into 100x50mm pipe |
| Outlet | | 20mm garden hose thread 2mm greywater hose 38mm pool hose Fits into 90mm pipe (cut off end of outlet) |

DISCLAIMER This product specification is not a complete guide to product usage. Product specifications may change without notice. For more information visit rainharvesting.com.au. Keep this manual handy for future reference. © Rain Harvesting Pty Ltd.

RAIN HARVESTING
by Blue Mountain Co

+61 (0)7 3248 9600

rainharvesting.com.au

RAIN HARVESTING
by Blue Mountain Co

Clean Rain Advanced



Installation and Specification Guide

PRODUCT DETAILS

An all-in-one rainwater diverter which incorporates a rain head and first flush diverter to ensure clean water is diverted to your rainwater tank, rain barrel, pool or garden.

DDCRO2 Multi-Fit (90mm, 100mm, 100x75mm and 100x50mm)

FEATURES AND BENEFITS

- All-in-one rain head and first flush diverter
- Keep leaves and debris out of your pipes and tank
- Remove suspended and dissolved organic and inorganic fine particles
- No additional first flush diversion pipe chamber required
- Fits standard garden, 22mm grey water and 38mm pool hoses, and 90mm pipe
- Fits wide range of downpipe sizes
- Built in safety overflow to stormwater

Installation

WHAT'S IN THE BOX?

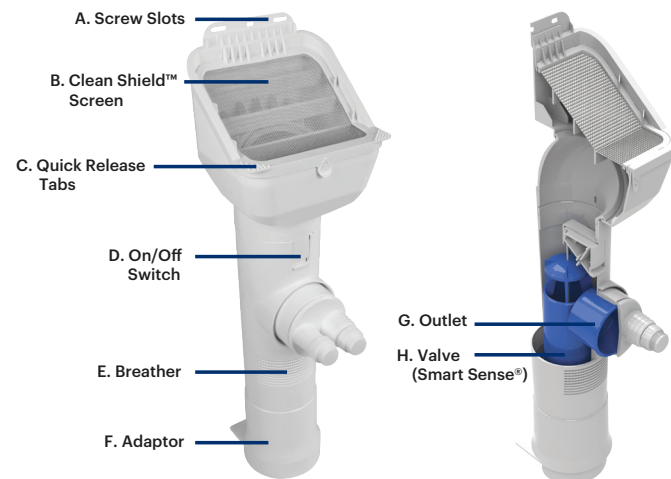
- Clean Rain Advanced

TOOLS/MATERIALS YOU MAY REQUIRE

- Tape measure
- Marker pen
- Saw
- Screws
- Screwdriver or drill
- Solvent cement glue

INSTALLATION

1. Remove 600mm of downpipe from where the Clean Rain® is to be situated. Ensure all edges are clean and smooth.
2. Using the quick release tabs remove the Clean Shield™ by lifting it up and out.
3. Fit the correct downpipe adaptor to the bottom of the Clean Rain®.
4. Install the Clean Rain® by sliding it up behind the top section of cut downpipe and then down into position. The Clean Rain® should be slid firmly onto the bottom downpipe until it can be pushed no further.
5. Screw the top of the Clean Rain® in position through the screw slots provided. Ensure appropriate screws and anchors (if required) are used.
6. Insert the Clean Shield™ back into the Clean Rain®. Ensure the Clean Shield™ is sitting firmly in place and check installation is secure.
7. Fit the hose or pipe of your choice (20mm garden hose thread, 22mm greywater hose, 38mm pool hose or 90mm pipe) to the outlet.
 - (a) For a garden hose, unscrew one or two caps and screw one or two garden hoses onto the outlet.
 - (b) For a 22mm greywater hose and 38mm pool hose, unscrew the cap and push the hose onto the outlet.
 - (c) For 90mm pipe, remove the outlet cap and cut off the hose fittings, then insert the cap into 90mm pipe and glue. Reinsert the cap into the Clean Rain outlet and swivel the Clean Rain body to direct the pipe towards your rainwater tank or where the rainwater is being diverted to.



NOTE: **ON/OFF Switch** - The Clean Rain® can be turned off so that no water is diverted to your rainwater tank, rain barrel, pool or garden. To do this simply flick the switch on the front of the Clean Rain® and in the next rainfall event all the water will be diverted to stormwater.

MAINTENANCE

The Clean Rain® is mostly self-cleaning, however it may require occasional maintenance in order to keep it functioning optimally.

RAIN HEAD – Simply lift the Clean Shield™ out by taking hold of the quick release tabs and pull the Clean Shield™ screen upwards and outwards, then hose or brush off any debris.

OUTLET – The outlet has an internal mosquito barrier that prevents any mosquitoes from entering the system. To clean simply remove the outlet by holding the unit in one hand and with a firm pull remove the outlet adaptor.

FIRST FLUSH – The Smart Sense® valve may require the occasional clean to remove any build-up of sediment. To clean remove the Clean Rain® from the wall and take the bottom adaptor off the unit. The hygroscopic washers within the Clean Rain have a long service life and should not require replacement. However, should you notice decreased amounts of first flush or increasingly longer re-set periods then your washers may require replacement. Please contact Rain Harvesting for a full replacement set.

COMPLIANCE

- AS/NZS 3500.3:2003 Plumbing and Drainage – Stormwater Drainage
- HB230:2008 Rainwater Tank Design and Installation Handbook
- enHealth Council – Guidance on the Use of Rainwater Tanks – Preventing Mosquitoes Breeding
- Queensland Health Regulations 1996 (Part 8 – Mosquito Prevention)