



Product: Leaf Eater® Original with Clean Shield™ Rain Head

Code: RHLE08 – 90mm
RHLE09 – 100mm

The Original High Performance Rain Head
- now with Enhanced Performance

Product Description

Keeps your Rain Harvesting system free of mosquitoes, vermin and debris.

The Leaf Eater® Original with Clean Shield™ is the original high performance rain head - now with enhanced performance. Not only does it protect the home by preventing gutters from blocking and flooding eaves, the Leaf Eater® Original with Clean Shield™ also improves water quality and reduces tank maintenance. The Leaf Eater® Original with Clean Shield™ is ideal for use purely as a debris removing device even when rainwater is not being collected. The single screen incorporates Clean Shield™ technology which deflects leaves and debris away from the flow of water. This minimises maintenance and enhances catchment efficiency.

Features and Benefits

- Upgraded with new debris shedding single screen technology (Clean Shield™)
- Minimal maintenance
- Enhanced flow rate capacity
- Superior catchment efficiency at low and high flow rates
- A single mosquito proof stainless steel mesh screen with 0.955mm aperture

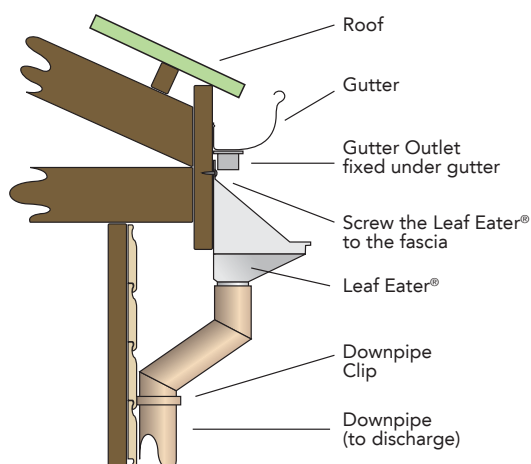
Compliance & Guidelines

- Queensland Development Code MP 4.2 – Water Saving Targets
- AS/NZS 3500.3:2003 Plumbing and Drainage – Stormwater Drainage
- HB230:2008 Rainwater Tank Design and Installation Handbook
- enHealth Council – Guidance on the Use of Rainwater Tanks – Preventing Mosquitoes Breeding
- Queensland Health Regulations 1996 (Part 8 – Mosquito Prevention)

Installation

AT GUTTER INSTALLATION

1. Remove the existing Gutter Outlet from the roof guttering system.
2. Hold the new Gutter Outlet against the fascia and against the bottom and rear of the gutter where the new outlet hole is to be, then using the gutter outlet as a template, draw around the inside of the outlet to mark the underside of the gutter for the new hole and cut out with tin snips. Fit the gutter outlet to the gutter, secure it using pop rivets or screws. Place a small amount of sealant in the sealant groove.
3. Mount the main body of the Rain Head evenly under the gutter outlet by securing it to the fascia with pop rivets or screws, making sure the backing plate fits snugly up to the bottom edge of the gutter but NOT between the fascia and back edge of the gutter.
4. The Leaf Eater® Original is now ready for connection to the downpipe. Do NOT glue the Leaf Eater® Original to the downpipe. SECURE with a screw for easy replacement.



Painting your Leaf Eater® Original

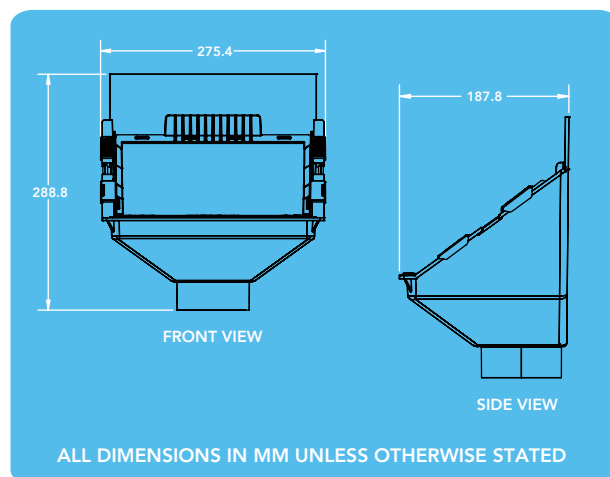
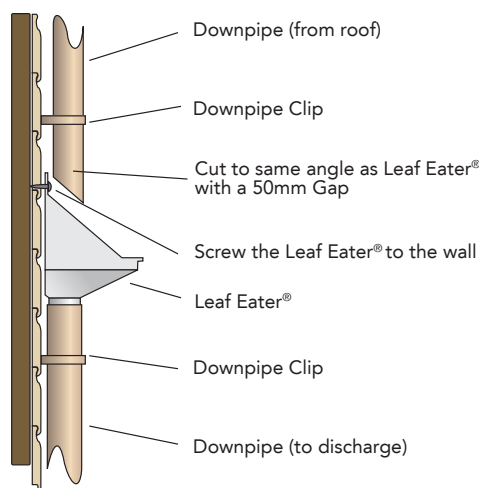
The main body of the Leaf Eater® Original is made from a lead free PVC and can be painted to complement the building. For best results wash down with methylated/white spirit and then paint. It is not recommended to paint the frame of the Clean Shield™ screen, therefore remove the Clean Shield™ screen when painting.

MID-MOUNT INSTALLATION

To improve access for cleaning, Leaf Eater® Original Rain Heads can be mounted on a wall at a convenient height. When 'pushing water' over long runs and depending on the volume of water required to be moved, the Rain Head may need to be mid-mounted more than 1.2m above the discharge point.

It is important to note that when mid-mounting, the flow directional benefits of the rectangular gutter outlet supplied with the Leaf Eater® Original will be lost. However this is to be balanced with the benefits gained from easier access for maintenance.

For mid-mounting, discard the top flow-directional gutter outlet. Cut the entry downpipe at 45° allowing 50mm clearance between the pipe and the mozzie screen. This ensures the end of the pipe is parallel to the screen and helps direct the water onto the face of the screen most effectively.



Maintenance

The Clean Shield™ screen is mostly self cleaning. If cleaning is required, simply lift the Clean Shield™ screen out by taking hold of the quick release tabs and pull the screen upwards and outwards, then hose or brush off.