



**Product:** Air Gap 90mm

**Code:** TAAG01

Backflow prevention for your rainwater tank overflow



## Product Description

The Air Gap prevents stormwater backflow from entering a rainwater tank, by creating a physical air break on the outlet of the tank overflow and before the stormwater drainage system. The Air Gap also acts as a visual inspection point to detect trickle top-up system failure.

## Features and Benefits

- Two removable mosquito screens for easy cleaning and low maintenance
- Each screen is made from mosquito proof stainless steel mesh with 0.955mm aperture
- Air Gap provides a visual inspection point on overflows
- Easy to install
- HB230 - Rainwater Tank Design and Installation Handbook requirement
  - "Install the Air Gap on the rainwater tank overflow outlet pipe to create an air gap to prevent stormwater backflow into the rainwater tank"
- Easy to paint

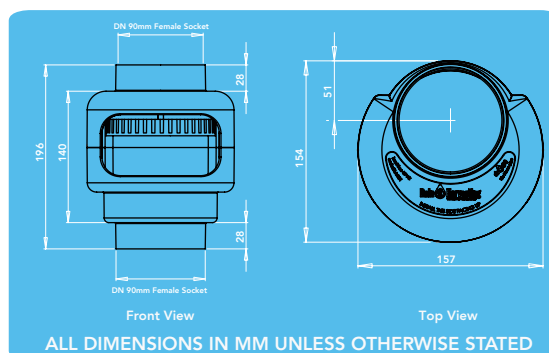
## Installation

The Rain Harvesting Air Gap incorporates two 90mm Female sockets that glue directly to DN90mm pipe. Install the Air Gap to a vertical section of pipe after the overflow of the tank.

Install at shoulder height to provide convenient access for maintenance

Ensure the Air Gap is installed the right way up, NOTE instructions on product: **'Install this side facing up'**

If installing the Air Gap to existing pipe work simply remove a 142mm section of pipe to allow fitment



## Maintenance

The TOP and BOTTOM vector proof screens can be removed for cleaning

TOP Turn the screen clockwise to remove

BOTTOM Lift the screen to remove

**It is important that the TOP and BOTTOM screens are replaced after cleaning to maintain a vector proof barrier**

P 0347 DISCLAIMER This product specification is not a complete guide to product usage. Further information is available from Rain Harvesting Pty Ltd and from the Installation and Operating Instructions. This specification sheet must be read in conjunction with the Installation and Operating Instructions and all applicable statutory requirement. Product specifications may change without notice. © Rain Harvesting Pty Ltd