

tank gauge™ WATER LEVEL INDICATOR

Product: Water Level Indicator

Code: TATG02

Monitoring your rainwater made easy!



Product Description

The Rain Harvesting Tank Gauge is a rainwater tank level indicator which ensures you are able to tell how much water is in your tank at a glance.

Features and Benefits

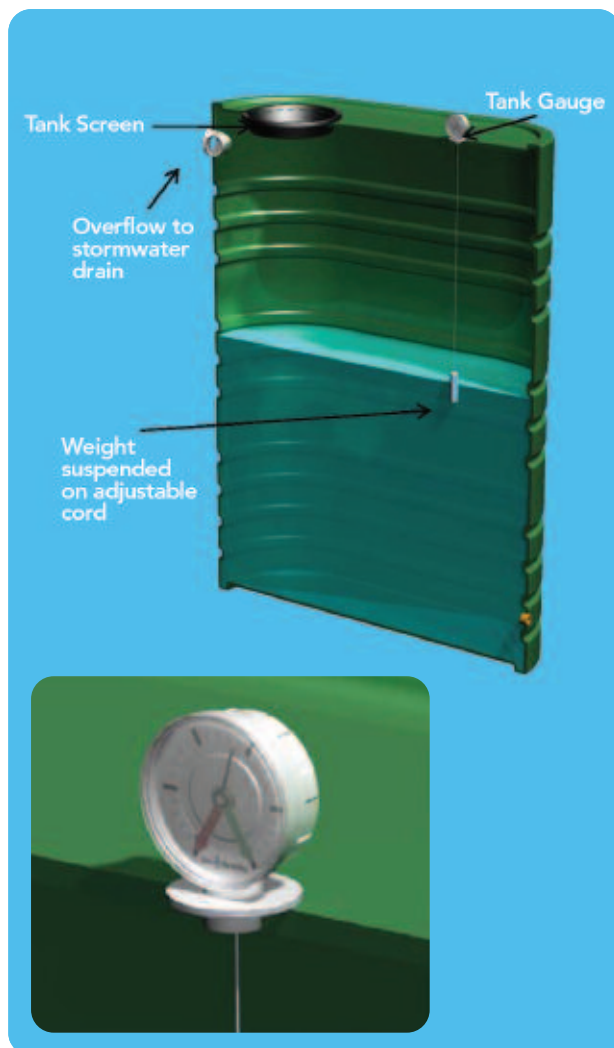
- Quick and easy to install – simple DIY product
- Seals directly to the tank
- Suitable for all existing and new tanks
- No batteries or wiring required
- Easy to read dial face with Empty and Full indicators
- Requires a standard 32mm hole saw
- Low maintenance requirements
- UV resistant
- Suitable for all vented tanks up to 2.5 metres (100 inches) in height
- Able to be securely installed on a wide variety of tank shapes (dome-topped, flat, peaked)
- Utilises a reliable float system
- Can be calibrated to all tanks
- Empty and Full indicators allow for a more meaningful measurement than a numbered dial (due to different rainwater tank widths and styles)

Installation

Before installing your Tank Gauge it is important to calibrate it for use. This will allow you to set your own tanks Empty and Full positions and quickly see your tanks water level.

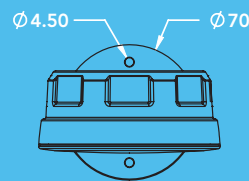
CALIBRATION

1. Carefully remove the front clear face from the Tank Gauge to enable access to the moveable Empty and Full indicators.
2. Select an installation site on your tank for the Tank Gauge and mark it. It is preferable that this is a flat area and that once installed, will allow you to view the Tank Gauge face easily.
3. Whilst maintaining the same height and keeping the weight outside of the tank, extend the weight so it is level with the bottom of your tank. Move the red Empty indicator to where the water level indicator is pointing.
4. Lift the weight so it is level with the overflow on your tank and move the green Full indicator to where the water level indicator is pointing.
5. Tank Gauge is now calibrated. Replace the front clear face.

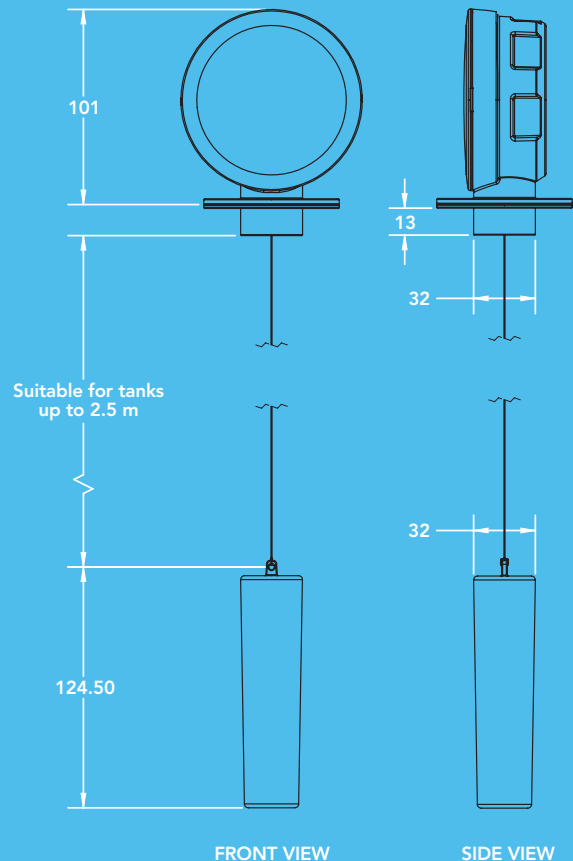


INSTALLING

1. Drill a 32mm hole into your tank at the previously marked installation site.
2. Lower the weight through this hole and sit the Tank Gauge on your tank.
3. Using the supplied screws secure the Tank Gauge to your tank.
4. Your Tank Gauge is now installed and ready for use.



TOP VIEW



ALL DIMENSIONS IN MM
UNLESS OTHERWISE STATED