



Products: Clean Rain Advanced™

Code: DDCR02

All In One Rainwater Filtration and Collection System



Product Description

The Practical Choice for All in One Rainwater Harvesting

Clean Rain Advanced™ is an all-in-one rain head, first flush diverter and stormwater overflow. Simple and reliable mechanics allows the rain head filter (patented Clean Shield™ technology) to shed leaves while the 'Smart Sense' first flush diversion system automatically activates when water is detected and diverts the first flush of rainwater which contains contaminants from the roof to stormwater. Clean Rain® allows the user to connect multiple outlet hoses to direct water to a pool, garden or storage tanks. The Clean Rain® body also rotates 180° allowing it to easily adapt to different installation environments.

Features and Benefits

- The new patented Rain Head single screen technology deflects leaves and debris away from the flow of water (Clean Shield™), allowing greater flow rates and maximising collection of rainwater to the rainwater tank
- The compact inline First Flush Diverter diverts the first flush of rainwater which contains contaminants from the roof to stormwater – no additional chamber required (Smart Sense® technology)
- The Clean Rain® Body swivels for convenient outlet positioning
- Fits standard garden, 22mm grey water and 38mm pool hoses, and 90mm pipe
- Multi-fit downpipe adaptors – 90mm and 100mm, 100 x 75mm and 100mm x 50mm
- Minimal maintenance
- Easily accessible on/off switch
- Built in safety overflow to stormwater

Compliance

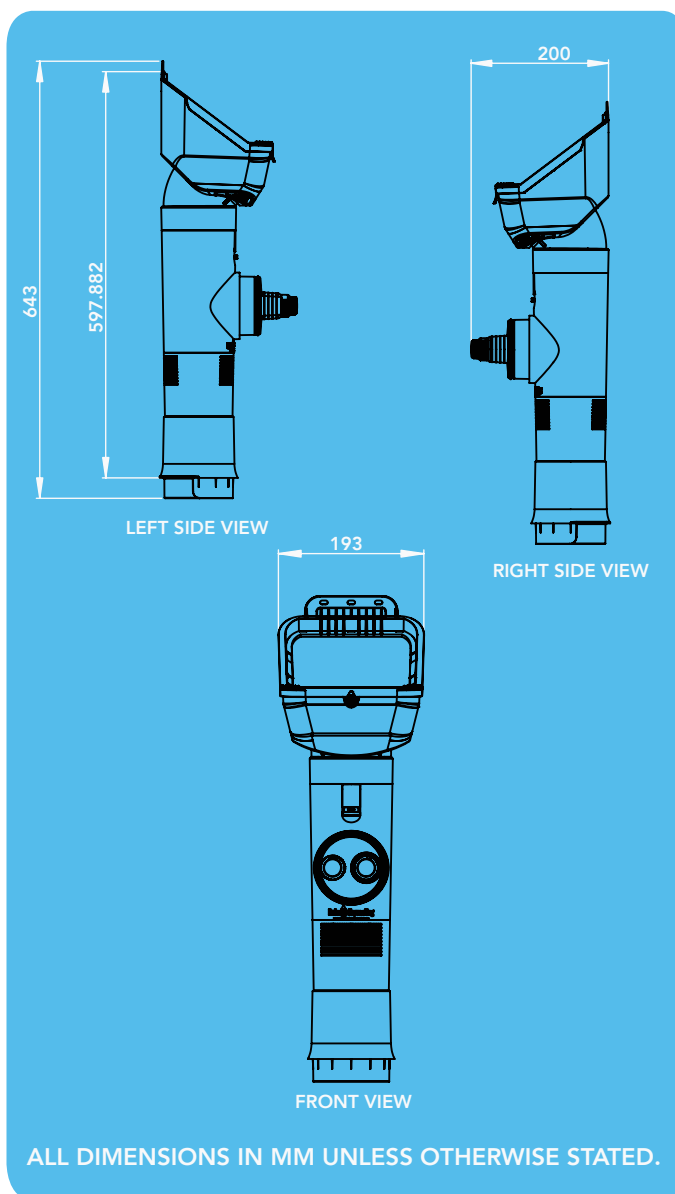
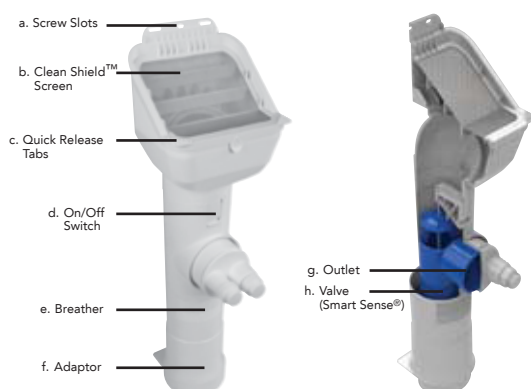
- Queensland Development Code MP 4.2 – Water Saving Targets
- AS/NZS 3500.3:2003 Plumbing and Drainage – Stormwater Drainage
- HB230:2008 Rainwater Tank Design and Installation Handbook
- enHealth Council – Guidance on the Use of Rainwater Tanks – Preventing Mosquitoes Breeding
- Queensland Health Regulations 1996 (Part 8 – Mosquito Prevention)

Installation

1. Remove 600mm of downpipe from where the Clean Rain® is to be situated. Ensure all edges are clean and smooth.
2. Using the quick release tabs remove the Clean Shield™ by lifting it up and out.
3. Fit the correct downpipe adaptor to the bottom of the Clean Rain®.
4. Install the Clean Rain® by sliding it up behind the top section of cut downpipe and then down into position. The Clean Rain® should be slid firmly onto the bottom downpipe until it can be pushed no further.
5. Screw the top of the Clean Rain® in position through the screw slots provided. Ensure appropriate screws and anchors (if required) are used.
6. Insert the Clean Shield™ back into the Clean Rain®. Ensure the Clean Shield™ is sitting firmly in place and check installation is secure.

On/Off

The Clean Rain® can be turned off so that no water is diverted. To do this simply flick the switch on the front of the Clean Rain® and in the next rainfall event all water will be diverted to stormwater.



Maintenance

The Clean Rain® is mostly self-cleaning, however it may require occasional maintenance in order to keep it functioning optimally.

RAIN HEAD – Simply lift the Clean Shield™ out by taking hold of the quick release tabs and pull the Clean Shield™ screen upwards and outwards, then hose or brush off any debris.

OUTLET – The outlet has an internal mosquito barrier that prevents any mosquitoes from entering the tank. To clean simply remove the outlet by holding the unit in one hand and with a firm pull remove the outlet adaptor. The mosquito barrier sits within the outlet and can be removed by hand.

FIRST FLUSH – The Smart Sense® valve may require the occasional clean to remove any build-up of sediment. To clean remove the Clean Rain® from the wall and take the bottom adaptor off the unit.

The hygroscopic washers within the Clean Rain have a long service and should not require replacement. However, should you notice decreased amounts of first flush or increasingly longer re-set periods then your washers may require replacement. Please contact Rain Harvesting for a full replacement set.

PO289 DISCLAIMER This product specification is not a complete guide to product usage. Further information is available from Rain Harvesting Pty Ltd and from the Installation and Operating Instructions. This specification sheet must be read in conjunction with the Installation and Operating Instructions and all applicable statutory requirement. Product specifications may change without notice. © Rain Harvesting Pty Ltd